



## Macchina LEM-PLATTFORM

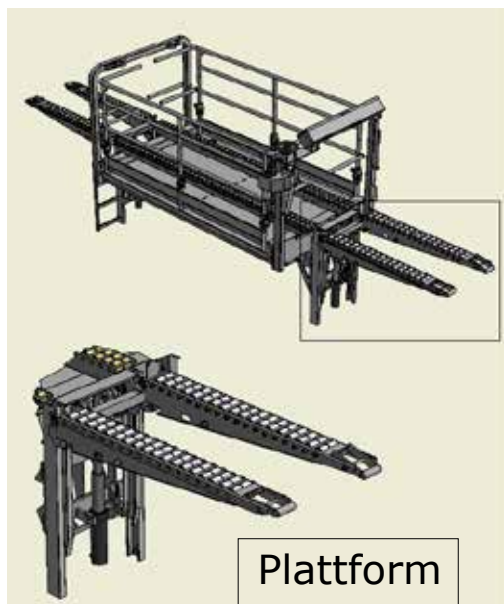
Harvesting and pruning machine for new low-row systems



## PLATTFORM

### Main standard features

- Single work surface with hydraulic elevation  
Length: 2.4 m, Width 1.30 m, open 2.5 m
- Opening / closing electro-hydraulic side terraces
- Three position side railings
- Back roller with bias block
- Two front-rear forklifts with telescopic cylinder (500 kg)
- Forks of the electro-hydraulic opening-closing forklifts
- Rear opening / closing control of the terraces
- Electric steering wheel
- Electric feed manipulator with return to "0" automatically + presence of man
- The Plattform can be unmounted from the LEM base in a few minutes and then the BANDER group can be mounted: The result is two machines in one.





## LEM

### Main standard features:

- Lombardini diesel engine type 1003 cv24
- 4 wheel drive
- 4 independent steering wheels with 3 types of steering
- Positioning of the rear wheels in the "center"

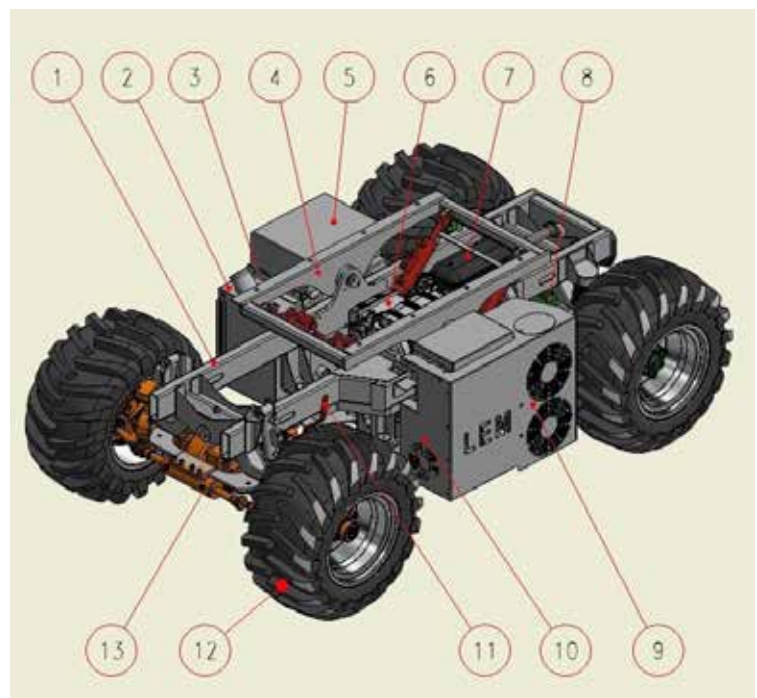
### Hydrostatic transmission

4 speeds	I°	0 - 1,5 km/h
	II°	0 - 3,5 km/h
	III°	0 - 5,5 km/h
	IV°	0 - 13 km/h

- Automatic longitudinal leveling  $\pm$  (18%)
- Automatic transverse leveling  $\pm$  (18%)
- Self-locking differentials
- Unlocking wheels for towing
- Automatic double ultrasound guide
- Total curb weight 2.300 kg
- Wheels 100/75 - R13.3

### Options:

- 500 lt. electromagnetic compressor
- Wheels 260/70 R16 garden
- Wheels 315/55 R16 mpt



## LEM-PLATTFORM measures

